

**REFERENCE :** KI0412

**SIZES :** U

**COMPOSITION :**

Main fabric : Polyester oxford 600D PVC backing 100% polyester

Main fabric : Polyester oxford 600D PVC backing As contrast color 100%polyester

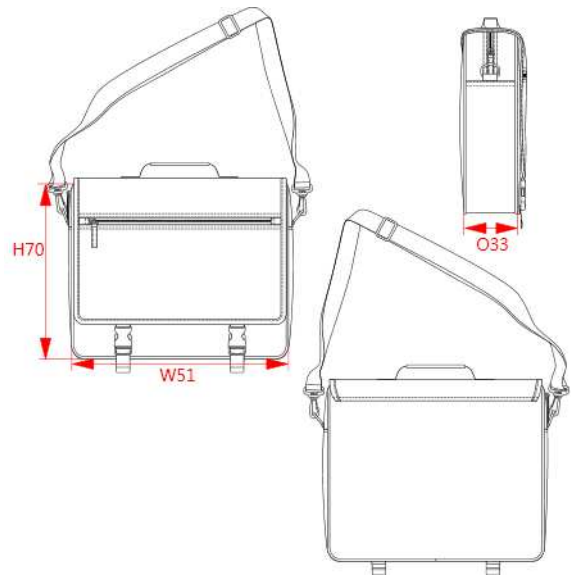
Lining : Polyester 210D PU backing - 75 As lining for back part of the flap. 100%polyester

**FABRIC CONSTRUCTION AND FINISHING :**

Polyester oxford 600D PVC backing

**ARTICLE WEIGHT :**

460 gr/pc



DESCRIPTION		COLORS	PANTONE SERIGRAPHIE
<b>Français :</b> Porte document avec rabat		Black	Black
<b>English :</b> Flap over document bag		Black / Light grey	Black / 2331C
<b>Nederlands :</b> Flap over document bag		Black / Navy	Black / 296C
<b>Deutsch :</b> Dokumententasche mit frontklappe		Black / Red	Black / 1795C
<b>Español :</b> Bolsa porta documentos con solapa		Black / Burnt lime	Black / 583C
<b>Italiano :</b> Porta documenti con patella		Black / Turquoise	Black / 320C
<b>Português :</b> Pasta		Navy / Corde	296C / 402C

MEASUREMENT	
Description	U
<b>W51</b> Total width	41
<b>H70</b> Height of front panel	34
<b>O33</b> Deep of bottom part	10

PACKING	
Box	25 pcs / box U => L:50cm W:40,5cm H:45cm GW:12,5kg NW:11,5kg